

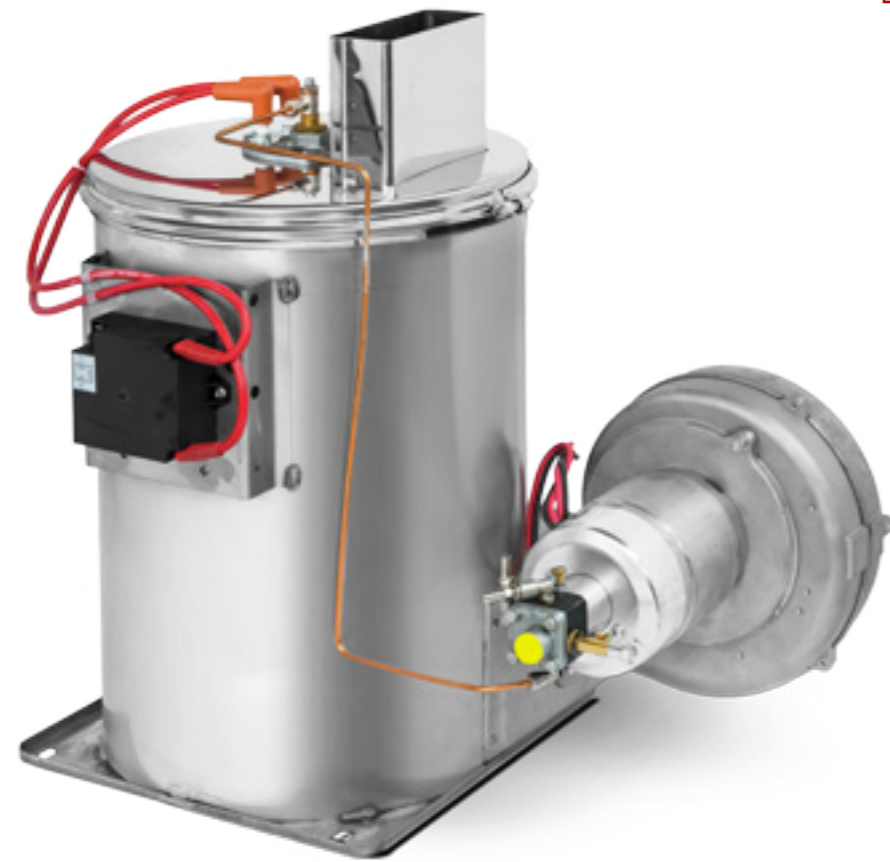
# SMALL DIESEL



# SMALL DIESEL

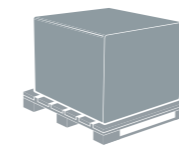
 <b>PORTATA</b> FLOW RATE <b>15 lt/min</b> <b>3.9 gal/min</b>	 <b>PRESSIONE MINIMA</b> MIN PRESSURE <b>3 Bar</b> <b>43.51 Psi</b>	 <b>PRESSIONE MASSIMA</b> MAX PRESSURE <b>250 Bar</b> <b>3625.94 Psi</b>	 <b>RENDIMENTO</b> PERFORMANCE <b>46.000 Kcal/h → 53,5 Kw</b>	 <b>CONSUMO DIESEL</b> DIESEL CONSUMPTION <b>4.73 lt/h</b>
---	---	--	--	---

Consumo stimato calcolato alla pressione del gasolio di 10 bar  
 Estimated consumption calculated at the diesel pressure of 10 bar



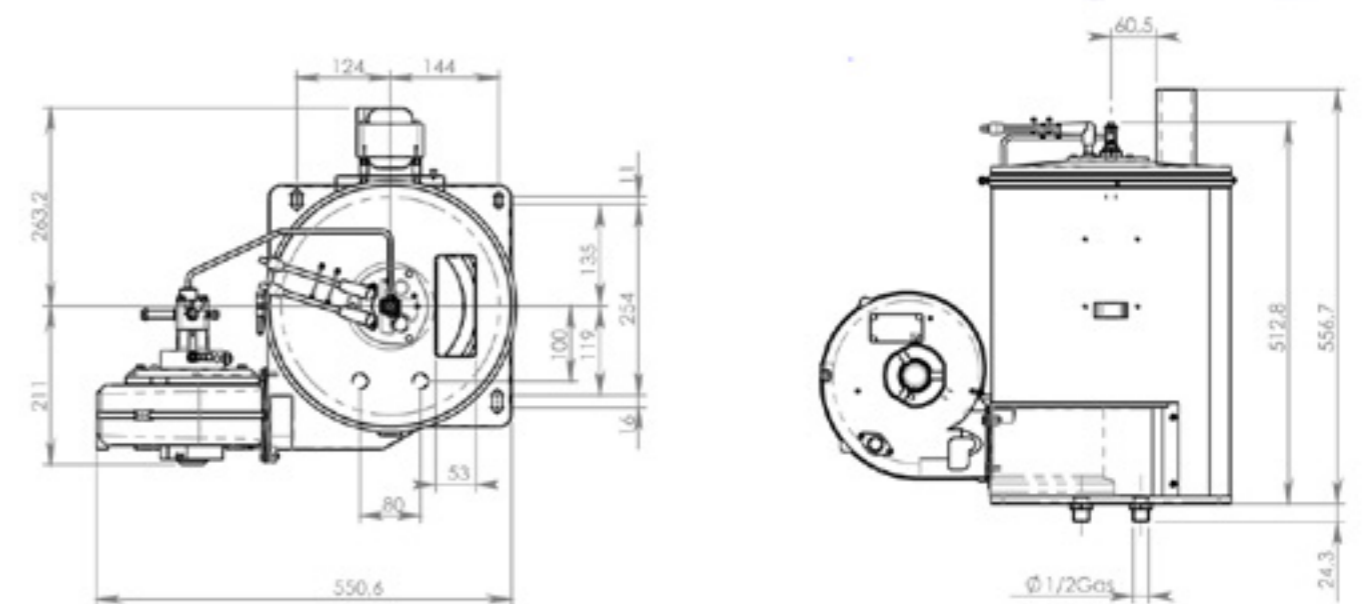
Codice Code	Bar	Psi	Lt/min	Gal/min	m	ft	Serpentina / Coil		Ugello Diesel Nozzle	Elettrovalvola Electrovalve	Motore Motor Volts-Hz	Peso netto Net weight	
							Spessore / Thickness	Ø				Kg	Lbs
3.026.02.025	250	3625.94	15	3.9	24	78.74	2.1	3/8"	1.25	12V DC	12V	45	99.2
3.026.02.026	250	3625.94	15	3.9	24	78.74	2.1	3/8"	1.25	24V DC	24V	45	99.2
3.026.02.027	250	3625.94	15	3.9	24	78.74	2.1	3/8"	1.25	24V AC*	220V (50)	44	97
3.026.02.028	250	3625.94	15	3.9	24	78.74	2.1	3/8"	1.25	24V AC*	400V (50)	44	97

## PACKAGING



PEZZI PER PALLET / PIECES EACH PALLET	CM	IN	KG	LBS
1	66X80X120	25.9X31.4X47.2	65	143.3
4	120X80X115	47.2X31.4X45.2	205	451.9

## DIMENSIONI / DIMENSIONS



## NOTE / NOTES



Caldaie con pressioni o portata diversa su richiesta  
 On demand heaters with different pressures or flow

### NOTE / NOTES

#### COLLETTORE PORTA Sonda TERMOSTATO A RICHIESTA HOUSING FOR THERMOSTAT ON DEMAND

\* A richiesta possono essere fornite elettrovalvole a 12V DC - 24V DC - 220V AC - 24V AC  
 \* On demand: 12V DC - 24V DC - 220V AC - 24V AC electrovalves are available  
 DC: Corrente continua / DC current  
 AC: Corrente alternata / AC current