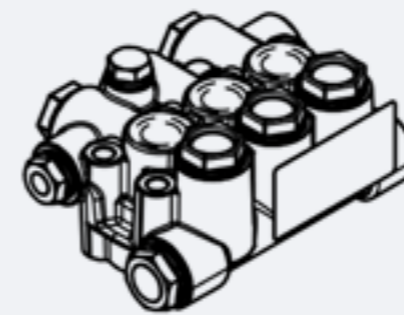


<p>MASSIMA TEMPERATURA INGRESSO ACQUA MAX INPUT WATER TEMPERATURE</p> <p>85°C 185° F</p>	<p>PRESSIONE MINIMA INGRESSO MINIMAL INPUT PRESSURE</p> <p>3 BAR 43.51 PSI</p>	<p>INGRESSO INLET</p> <p>G 1/2"</p>	<p>USCITA OUTLET</p> <p>G 3/8"</p>	<p>TESTATA NICHELATA NICKEL PLATED MANIFOLD</p>
--	--	--	---	---



Codice Code	Modello Model	Portata / Flow Rate lt/min - gpm		Pressione / Pressure		Potenza / Power		Potenza / Power		Albero Shaft L: 40mm Ø 24
		1450 rpm	1740 rpm	Bar	Psi	50Hz		60Hz		
						HP	Kw	HP	Kw	
P3.021.003-2	TMM12200R	12.00 3.17	14,4 3.80	200	2900.75	6.23	4.65	7.48	5.58	Destra / Right
P3.021.002-2	TMM15200R	15.00 3.96	18 4.76	200	2900.75	7.79	5.82	9.35	6.98	Destra / Right
P3.021.004-2	TMM18200R	18.00 4.75	21,6 5.71	200	2900.75	9.35	6.98	11.22	8.37	Destra / Right
P3.021.001-2	TMM21200R	21.00 5.55	25,2 6.66	200	2900.75	10.91	8.14	13.09	9.77	Destra / Right
P3.021.008-2	TMM12200L	12.00 3.17	14.40 3.80	200	2900.75	6.23	4.65	7.48	5.58	Sinistra / Left
P3.021.006-2	TMM15200L	15.00 3.96	18.00 4.75	200	2900.75	7.79	5.82	9.35	6.98	Sinistra / Left
P3.021.009-2	TMM18200L	18.00 4.75	21.60 5.70	200	2900.75	9.35	6.98	11.22	8.37	Sinistra / Left
P3.021.007-2	TMM21200 L	21.00 5.55	25.20 6.65	200	2900.75	10.91	8.14	13.09	9.77	Sinistra / Left
		1000 rpm	1200 rpm	Bar	Psi	HP	Kw	HP	Kw	
P3.021.005-2	TMM15200R	15.00 3.96	18.00 4.75	200	2900.75	7.79	5.82	9.35	6.98	Destra / Right
P3.020.010-2	TMM15200L	15.00 3.96	18.00 4.75	200	2900.75	7.79	5.82	9.35	6.98	Sinistra / Left

RICAMBI / SPARE PARTS



KIT - P9.040.019

TESTATA COMPLETA
COMPLETE HEAD OF THE PUMP



KIT - P9.039.001

ANELLI TENUTA OLIO ASTA
KIT OIL SEAL PUMP MM PM



KIT - P9.003.017

GUARNIZIONE PISTONE
KIT PLUNGER SEALS



KIT - P9.004.013

PISTONE DIAMETRO 20
KIT CERAMIC PISTON DIAMETER 20



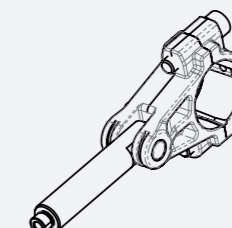
KIT - P9.001.005

VALVOLA COMPLETA
COMPLETE VALVE



KIT - P9.003.027

GUARNIZIONE PISTONE - PACCO COMPLETO
KIT COMPLETE SEALS



KIT - P9.041.004

PREMONTATO BIELLA - ASTA
PREASSEMBLED CONNECTING ROD

TMM HIGH TEMPERATURE	PORTATA FLOW RATE		GIRI ROUNDS	PRESSIONE MASSIMA MAX PRESSURE		CAPACITÀ OLIO OIL CAPACITY		PESO WEIGHT	
	Lt/min	Gpm	Rpm	Bar	Psi	Lt	Gal	Kg	Lbs
	50HZ	12.00 » 21.00	3.17 » 5.54	1450	200	2900.75	0.7	0.18	10.4
60Hz	14.40 » 25.20	3.80 » 6.65	1740						